

INFRASTRUCTURE SOLUTIONS

COST-EFFECTIVE DISASTER RECOVERY SOLUTIONS

KEY FEATURES

- Simple and cost-effective to deploy and manage
- Replication across the entire platform, using Fibre Channel (FC) or IP network protocol
- Flexibility to choose the level of disaster protection you need
- Replicates application-consistent Snapshot™ copies to ensure fast application recovery
- Puts mirrored copy to active business use, delivering even more value
- Reduces storage costs with replication from FC to less expensive ATA disks
- Reduces required network bandwidth by transferring only changed data blocks in async mode
- Integrates high availability and disaster recovery in a single solution for campuses and metro areas

Simple, cost-effective replication solutions enable you to protect more of your applications.

Recent events around the world and the realization that disasters do happen have changed business agendas from how to avoid to how to mitigate the effects of manmade and natural catastrophes. But for cost and complexity reasons, many companies are implementing disaster recovery solutions only for their top 5%–10% of mission-critical applications.

PROTECT MORE APPLICATIONS

NetApp has a comprehensive portfolio of replication solutions that overcome the key barriers to more widespread adoption of disaster recovery solutions—cost and complexity. To help you protect a broad range of applications from site and regional disasters, our solutions support recovery point objectives (RPOs) from zero to seconds, minutes, and days. Built on our unified storage architecture and using common software and processes across all tiers of storage, NetApp replication solutions are simple and cost-effective to deploy and manage.

Synchronous Replication NetApp synchronous replication solutions using MetroCluster or SnapMirror® meet requirements for zero RPO. MetroCluster is a unique, cost-effective solution that combines high availability and disaster recovery capabilities, providing automatic failover for any component failure and single-click failover for major site failures.

Asynchronous Replication The NetApp asynchronous replication solution using SnapMirror Async meets RPOs ranging from one minute to one day. This cost-effective replication solution enables you to replicate data from FC storage to less expensive ATA storage and reduces network bandwidth requirements by leveraging NetApp Snapshot technology to send only changed data blocks over the network. And, combined with FlexClone™ technology, SnapMirror Async enables you to create additional copies on the disaster recovery storage for other uses, such as testing, development, and QA, without impacting the production system or consuming additional space on the disaster recovery storage.

NETAPP SOLUTION COMPONENTS

NearStore® on FAS Enterprise-class SATA-based storage

FAS Storage High-performance networked storage systems

V-Series Virtualizes tiered, heterogeneous storage arrays

SnapMirror Replication software that can be used to protect against site and regional disasters

MetroCluster Protects against all types of hardware outages and site disasters within a campus or metro area

OPTIONAL COMPONENTS

SnapManager® Ensures that application-consistent Snapshot copies get replicated for faster recovery

Protection Manager Provides automated replication management

MultiStore® Enables nondisruptive failover between two NetApp storage systems with multiple domains for file services

Virtual File Manager™ Leverages global namespace to enable nondisruptive failover for file services

SnapVault®/SnapMirror Bundle Stores multiple, disk-based backups with failover for instant, reliable data recovery

SnapLock®/SnapMirror Solution Enables replication of non-rewriteable, non-erasable WORM volumes

FlexClone Enables creation of clones from the mirror copy without requiring additional space at time of creation

NetApp Global Services Provides flexible support and professional services that fit your unique IT and business needs

INTEGRATED PARTNER SOLUTIONS

WAN Optimization Solutions from Juniper Networks and Riverbed Technology enable more efficient long-distance replication.

Heterogeneous Replication Topio Data Protection Suite can be used to replicate data from any vendor's primary storage to NetApp secondary storage.

WHY CHOOSE NETAPP?

NetApp disaster recovery solutions help you save money by reducing deployment costs, more effectively utilizing disk space and network bandwidth, leveraging your existing network infrastructure, and, above all, enabling you to put your disaster recovery storage to active business use. With NetApp, you have the confidence of knowing that when disaster strikes, your data is protected and your enterprise will be up and running quickly.

ABOUT NETWORK APPLIANCE

Network Appliance is a world leader in unified storage solutions for today's data-intensive enterprise. Since its inception in 1992, Network Appliance has delivered technology, product, and partner firsts that simplify data management. Information about Network Appliance™ solutions and services is available at www.netapp.com.

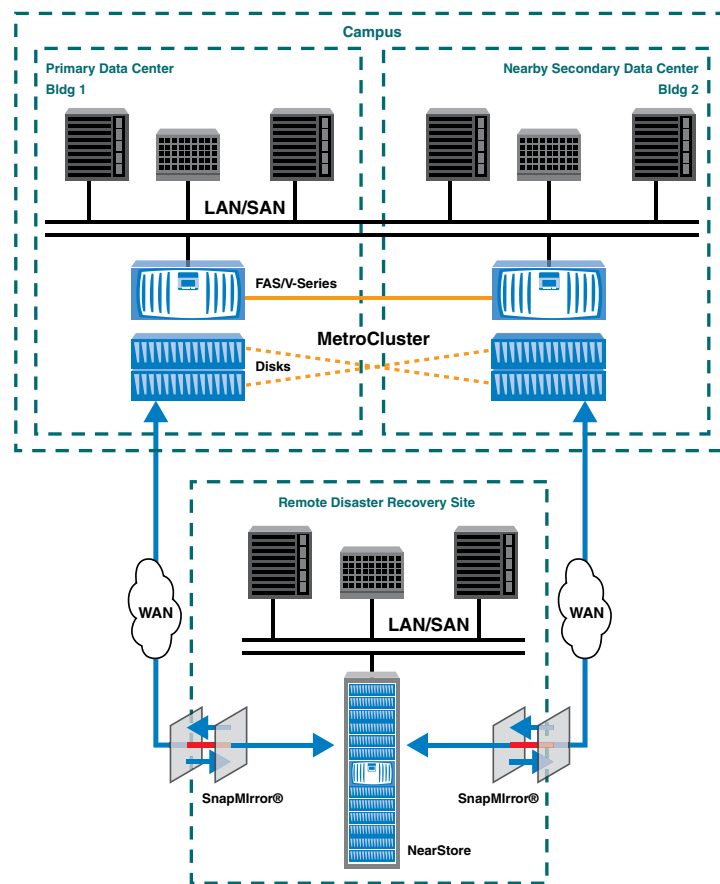


Figure 1) NetApp disaster recovery solution.

